



MAKERS OF Stand Aid, PTA & Freedom Chair

PO BOX 386
Sheldon, IA 51201

1-800-831-8580

1-712-324-2153 (In Iowa)

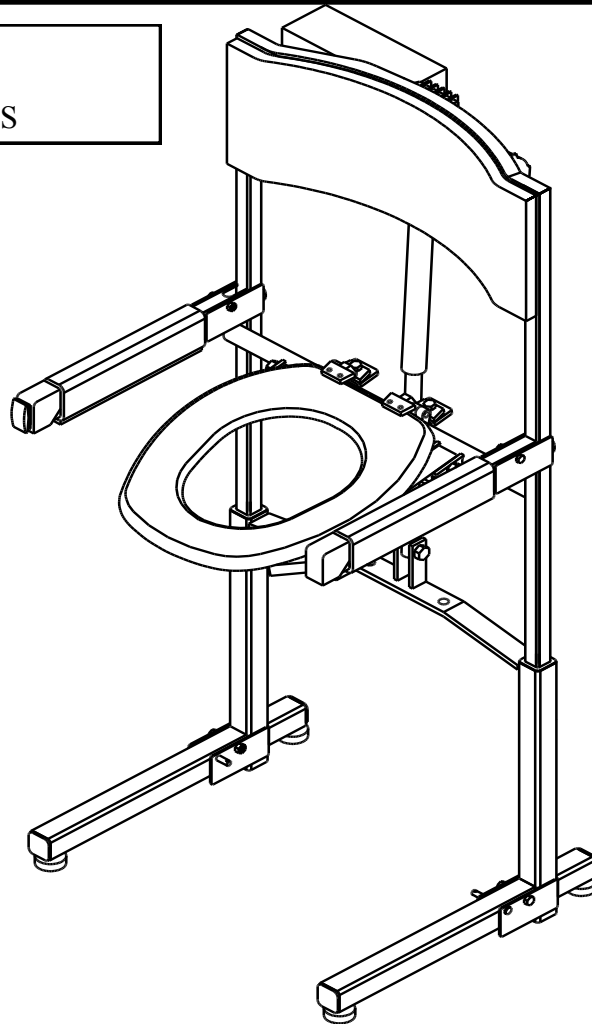
Fax: 712-324-5210

PTA ***(POWER TOILET AID)***

**INSTRUCTIONS AND WARRANTY FOR
PTA MODELS MANUFACTURED
BY STAND AID SERIAL # _____**

ASSEMBLY
INSTALLATION
REPLACEMENT PARTS

READ complete manual
CAREFULLY BEFORE
attempting operation.



CAUTION:

All PTA models should be used only on level surfaces. Please exercise caution and good judgement.

INTRODUCTION

Thank you and congratulations on your purchase of the PTA (*POWER TOILET AID*). We believe using the PTA will assist you in your everyday life and enhance your outlook on life. Read complete manual before assembly and use of the Power Toilet Aid

GENERAL INFORMATION

The Power Toilet Aid (PTA) is designed for individuals with musculo-skeletal or neuromuscular limitations due to disease or injury.

The PTA will help reduce stress on the knee and hip joints and is safe and comfortable for the user. Another benefit of the PTA is reduced potential of back injuries among attendants caused by lifting patients. The PTA is easy to use, a lift switch is mounted for finger tip control on the left or right side handle bar. When fully extended the PTA will lift the seat up to 13" above the existing toilet height.

The PTA is also great for traveling, it is collapsible into a 9"x40"x22" package and will adapt to most standard toilets in minutes. The battery operated unit is made of steel tubing for strength and durability and will lift up to 400 lbs. You can use your own toilet seat with the PTA and still lift the seat for easy cleaning. The Unit is shipped complete (76 lbs. UPS) and requires only a few tools for installation.

TOOLS NEEDED

- 1 – Flat Screwdriver
- 1 – Tape Measure
- 1 – 9/16" Open end wrench

WARNING: Do **NOT** reverse direction of the motor, until the motor comes to a complete stop. Reversing the direction of the motor while running could damage the internal parts of the motor.

WHEN CALLING FOR SERVICE PLEASE HAVE THE SERIAL NUMBER OF YOUR UNIT READY FOR THE STAND AID REPRESENTATIVE THIS WILL HELP IN THE SERVICING OF YOUR PTA (Power Toilet Aid) THANK YOU. STAND AID SERVICE DEPARTMENT.

TABLE OF CONTENTS

Cover	Page #1
Introduction and General Information	Page #2
Table of Contents and PTA Models,.....	Page #3
Limited Warranty Information	Page #4
Safety & Cleaning Precautions	Page #5
Parts Breakdown and Parts List	Page #6
Assembly Instructions	Page #7
Trouble Shooting & Battery Information.....	Page #8
Mobile Power Toilet Aid Information.....	Page #9

MODELS

Standard Power Toilet Aid
Mobile Power Toilet Aid

Note: All parts for each model are not shown in this manual. Parts are the same or similar for all models. Read manual carefully for installation of your PTA model.

LIMITED WARRANTY POWER TOILET AID (PTA)

Each Stand Aid of Iowa, Inc. product has been carefully inspected and tested before shipment.

Accordingly, we warrant each POWER TOILET AID which is sold against defects in workmanship and material under normal use for 12 months and the batteries which are warranted for 90 days from the date of shipment from Stand Aid. This warranty shall not extend to and we shall have no responsibility with respect to products which have been abused, misused, altered or as to which repair has been made or attempted by others.

This warranty is made lieu of all other warranties with respect to the product covered hereby and there are no other warranties, whether expressed or implied of merchantability or otherwise, except the warranty expressly stated herein. The remedy set forth herein shall be the sole exclusive remedy of any purchaser with respect to any defective product. Under no circumstances shall STAND AID OF IOWA be liable for any injury, loss, damage or expense suffered or incurred with respect to any misuse of the STAND AID OF IOWA'S products.

If you have any questions or need further information, please feel free to call our offices at: 1-800-831-8580.

SAFETY PRECAUTIONS

1. Keep small children away from PTA at all times.
2. The PTA should only be operated by authorized personnel.
3. If the PTA is not going to be used for a period of days, always disconnect the wiring harness from the battery.

OPERATING INSTRUCTIONS

1. Battery: Attach red wire to (+) positive terminal on battery. Attach brown/black wire to (-) negative terminal.
2. If wall outlet is available near the toilet, charger may be plugged in at all times; sending a trickle charge to the battery. If outlet is not available, battery and charger may be easily carried to another location for charging.

Cleaning the Power Toilet Aid

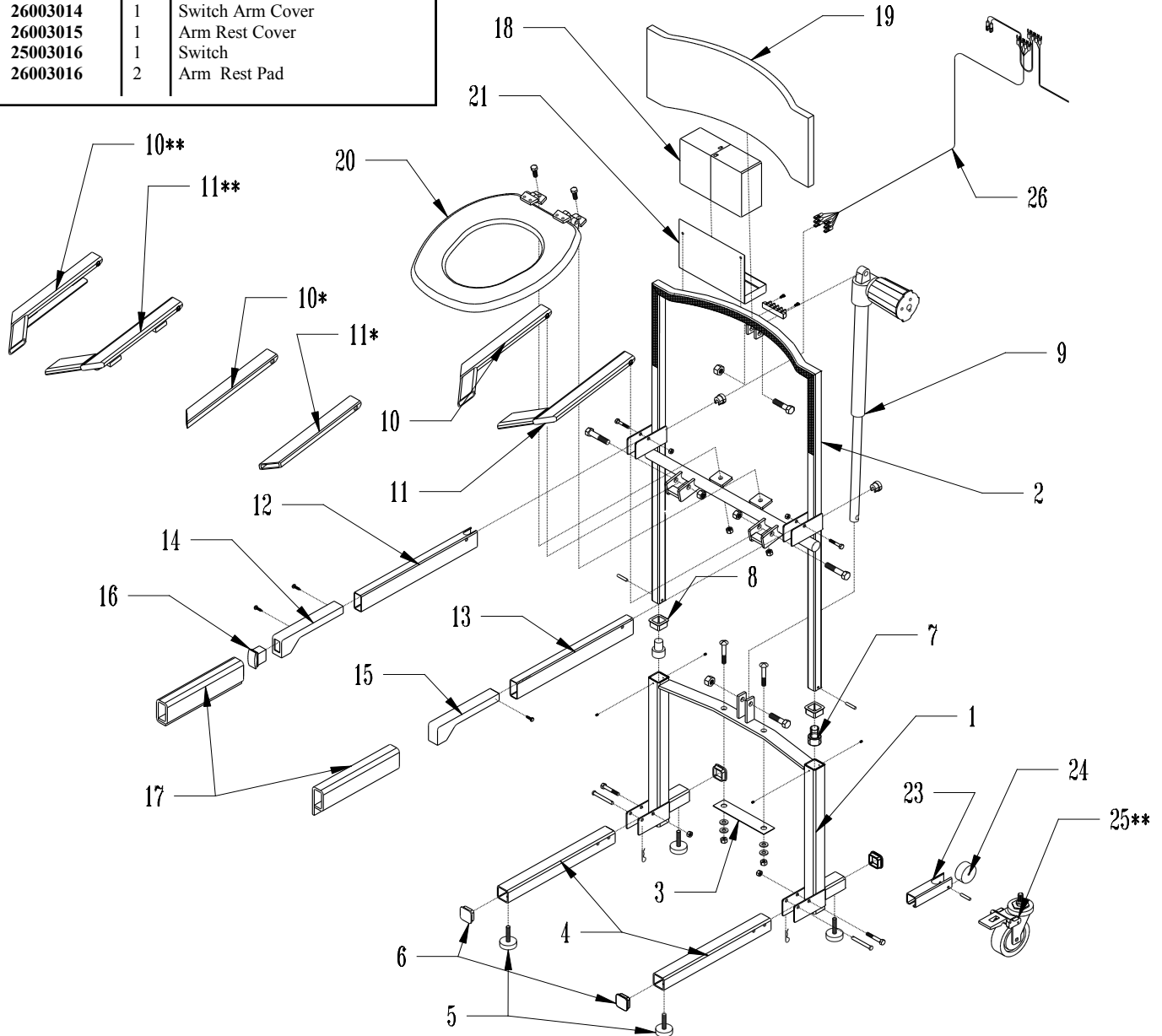
1. Avoid contact between toilet bowl cleaner and the Power Toilet Aid, this can have adverse effects on the finish.
2. Clean the Power Toilet Aid with warm soapy water.

PTA PARTS BREAKDOWN and PARTS LIST

REF. #	PART #	QTY.	DESCRIPTION
1.	73002001	1	Bottom Base (18" Stand.)
*	72002001	-	Bottom Base (14")
**	72002R01	-	Bottom Base (18" mobile)
2.	73002001	1	Upper Assembly (18")
*	72002002	-	Upper Assembly (14")
3.	26003013	1	Gasket
4.	72001001	2	Legs (14", 18" Stand.)
**	73002009	2	Legs (18" mobile)
5.	25003012	4	Adjustable Leg Pads
6.	25003013	4	Tube Caps
7.	73002008	2	Glide
8.	25003014	2	Tube Slide Insert
9.	25003015	1	Actuator
10.	73002006	1	Rt. Seat Support (18")
*	72001026	-	Rt. Seat Support (14")
**	73002004	-	Rt. Seat Support (18" mobile)
11.	73002005	1	Lt. Seat Support (18")
*	72001013	-	Lt. Seat Support (14")
**	73002003	-	Lt. Seat Support (18" mobile)
12.	72001015	1	Switch Arm (Rt. or Lt.)
13.	72001025	1	Arm Rest (no switch)
14.	26003014	1	Switch Arm Cover
15.	26003015	1	Arm Rest Cover
16.	25003016	1	Switch
17.	26003016	2	Arm Rest Pad

REF. #	PART #	QTY.	DESCRIPTION
18.	25003017	1	Battery
-	25003018	1	Battery Charger
19.	26003017	1	Back Rest
**20.	25003019	1	Toilet Seat (18" mobile)
21.	73002007	1	Battery Bracket (18" mobile)
23.	72101001	2	Opt. Wheel Insert (14", 18")
24.	25003020	2	Opt. Wheel
25.	25003008	4	Caster Wheel (18" mobile)
26.	25003021	1	Wiring Harness
27.	25003022	2	Grommet
*28.	26003019	1	Rt. Seat Support Cover (14")
*29.	26003020	1	Lt. Seat Support Cover (14")
**30.	25003023	1	Toilet Pail (18" mobile) not shown

* Model 100 (14") only
 ** Model 400 (18" mobile) only



ASSEMBLY & INSTALLATION INSTRUCTIONS

1. After unpacking the PTA find the switch arm and assemble it to the PTA using the 1/4" x 1 1/4" bolt and locknut. (note switch arm can be on the right or left side depending on how the unit was ordered) See image #1.

IMAGE #2

2. Locate the battery and place it into the battery pan. Plug in the battery. .See Page #8

3. The PTA must be raised a few inches for access to the securing holes. Push the control switch located in the end of arm rest up until PTA raises 4 or 5 inches.

4. To secure the PTA to the toilet remove the toilet seat from the existing toilet. Keep the bolts and nuts.

5. Secure existing toilet seat to top holes on the PTA using the bolts and nuts you removed from your existing toilet seat. CAUTION: Some bolts need to be cut off, so when the unit is in the complete down position they don't hit the PTA frame or toilet.

6. Place gasket from the PTA package over existing commode holes. Position PTA over gasket and secure using 3/8"x 2-1/2" carriage bolts (#31) and wing nuts (#32). That are provided with the PTA.

7. Adjust the leg pads under the front of the PTA to touch the floor and firmly support the PTA.

8. The PTA is raised by pushing control switch (located in the end of the arm rest) up until desired height is reached. To lower push switch down.

9. Adjust tilt of toilet seat arms with two set screws on support arm brackets.

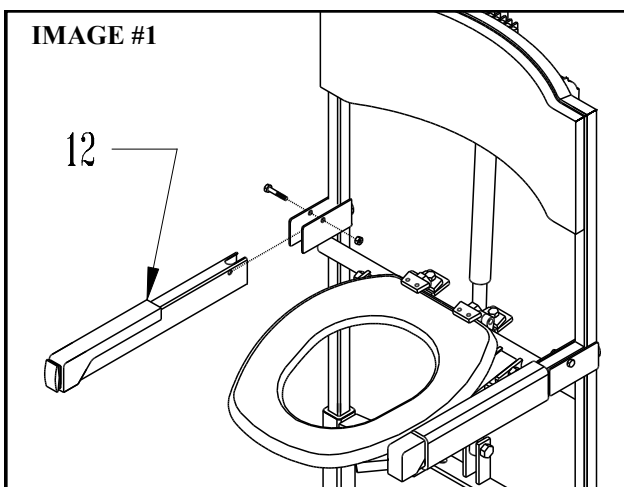
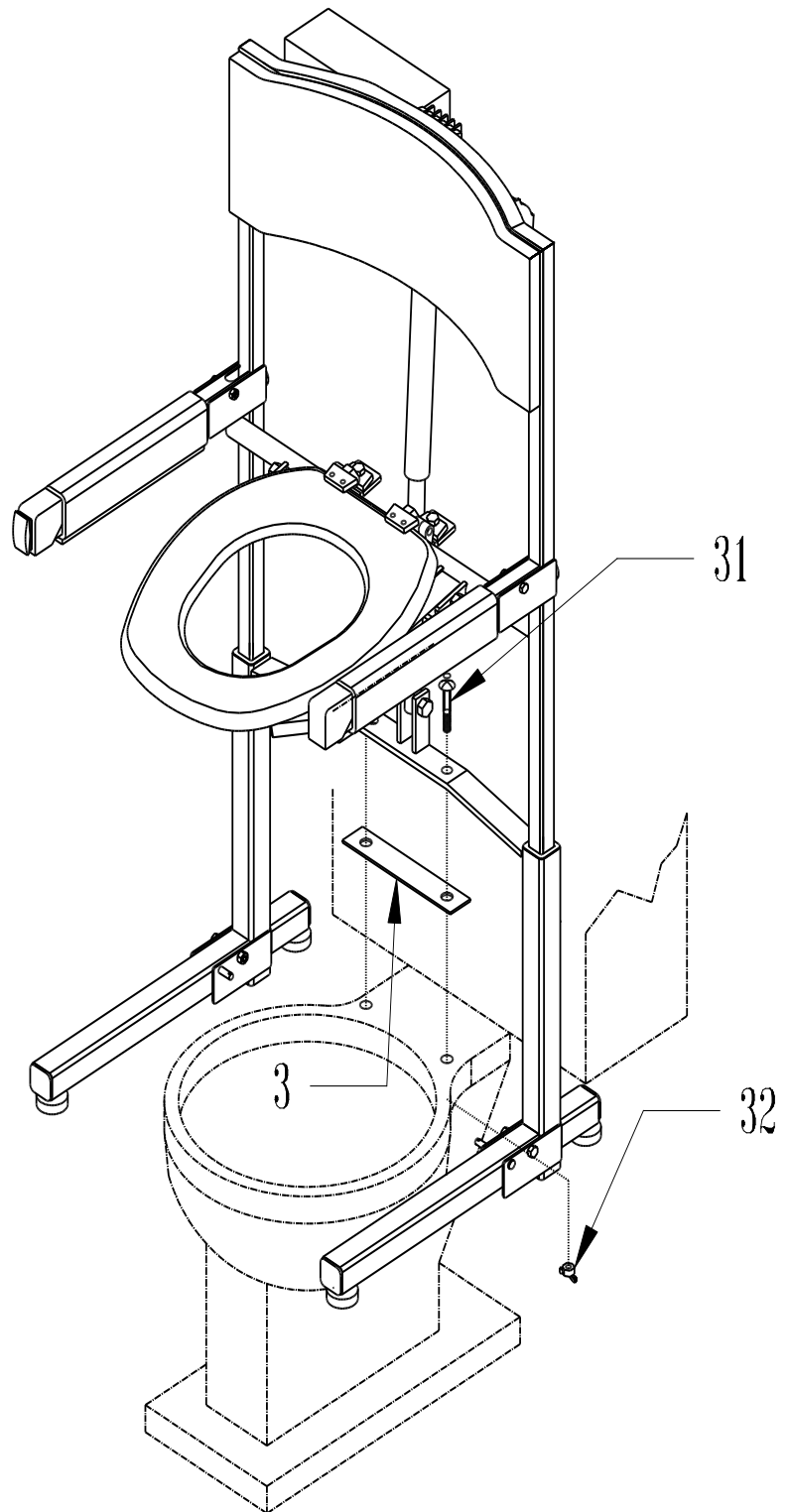


IMAGE #1

11. Serial number tag is located on the inside of the switch arm, under padding.

12. Depending on the stool height adjust the leg pads for height. (longer leg pads are available on request.)

TROUBLE SHOOTING

PROBLEM

SUGGESTION

PTA is not working every time, not responsive to the switch.

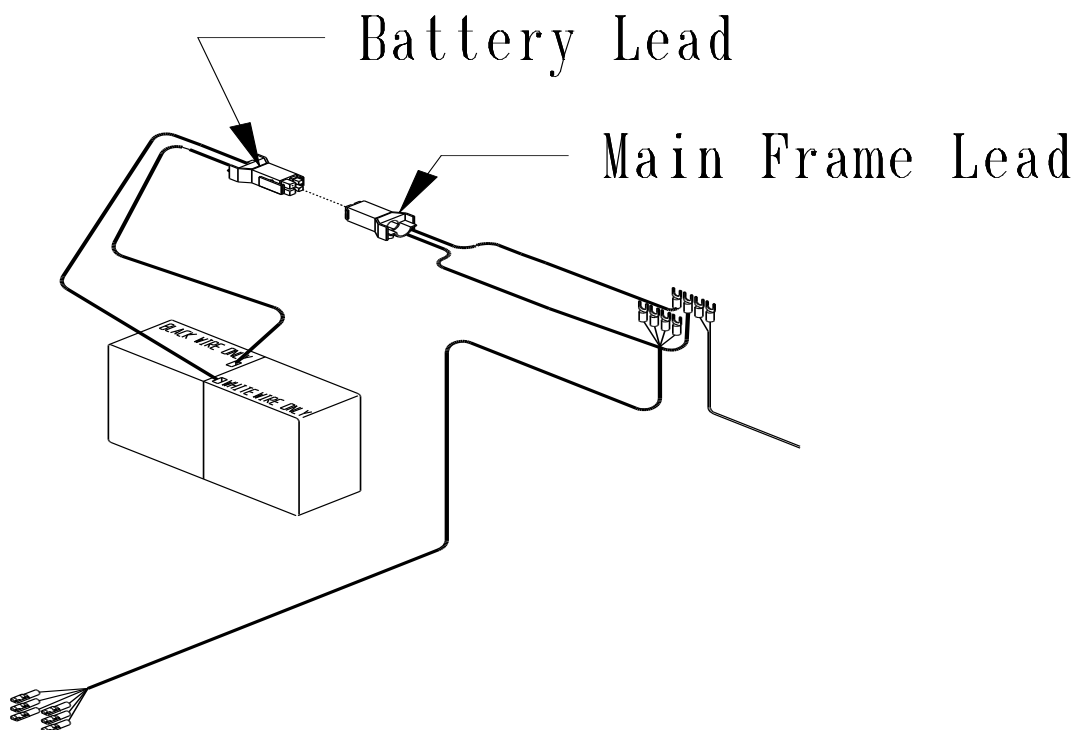
- Check battery (charged)
- Check all wire connections
- Remove the switch arm, make sure switch is connected correctly.

If unit is jerky when going up and down.

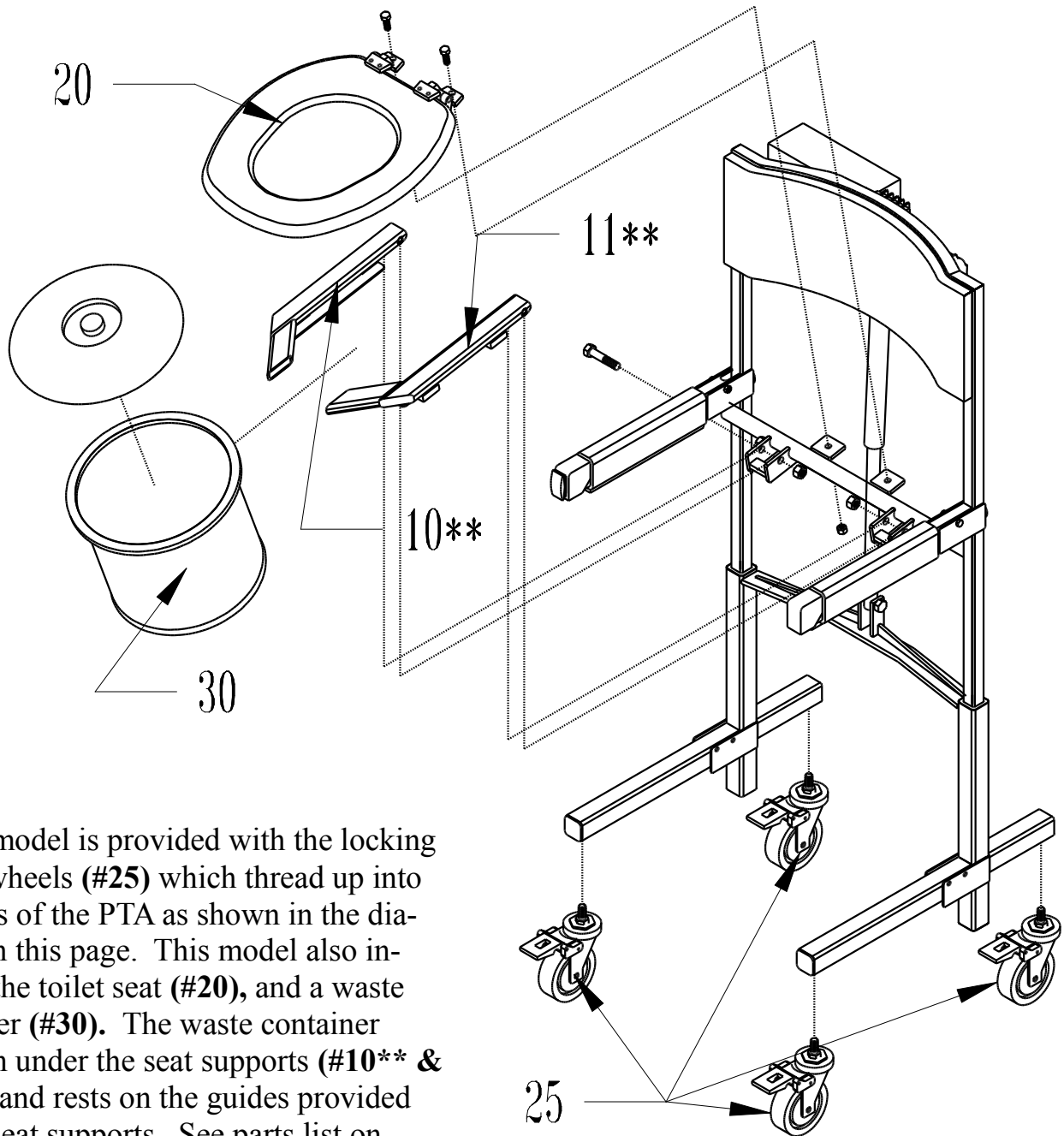
- Lubricate the legs that telescope inside the bottom frame, using clear grease or graphite.

BATTERY INFORMATION

1. Remove battery from the box and place it into the battery pan located on the back side of PTA. Attach the battery lead to the main frame plug. Then push the lift switch button located on the left or right arm rest (depending on which model ordered) on the PTA making sure unit goes up and down correctly.



MOBILE POWER TOILET AID



. This model is provided with the locking
caster wheels (#25) which thread up into
the legs of the PTA as shown in the dia-
gram on this page. This model also in-
cludes the toilet seat (#20), and a waste
container (#30). The waste container
slides in under the seat supports (#10** &
#11**) and rests on the guides provided
on the seat supports. See parts list on
page six for part numbers.

STAND AID OF IOWA, INC.
PO BOX 386
SHELDON, IA 51201
1-800-831-8580
1-712-324-2153 (In Iowa)
FAX: 712-324-5210